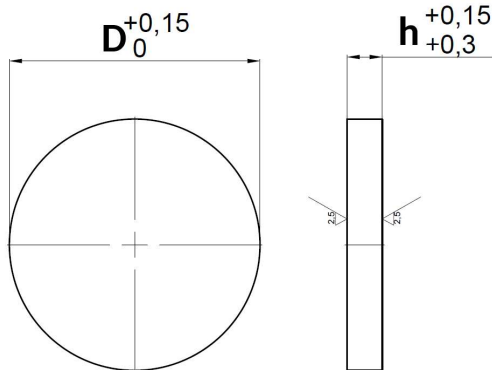


Płyty okrągłe

Round plates

PR



Obrys frezowany, grubość szlifowana
Milled outline, ground thickness

D	h	mate- rial	NR KAT.	D	h	mate- rial	NR KAT.	D	h	mate- rial	NR KAT.
95	9	2312	PR-95*9/2312	116	17	2312	PR-116*17/2312	156	17	2312	PR-130*17/2312
	9	2311	PR-95*9/2311		17	2311	PR-116*17/2311		17	2311	PR-130*17/2311
	9	1730	PR-95*9/1730		17	1730	PR-116*17/1730		17	1730	PR-130*17/1730
	12	2312	PR-95*12/2312		22	2312	PR-116*22/2312		9	2312	PR-156*9/2312
	12	2311	PR-95*12/2311		22	2311	PR-116*22/2311		9	2311	PR-156*9/2311
	12	1730	PR-95*12/1730		22	1730	PR-116*22/1730		9	1730	PR-156*9/1730
	17	2312	PR-95*17/2312		27	2312	PR-116*27/2312		12	2312	PR-156*12/2312
	17	2311	PR-95*17/2311		27	2311	PR-116*27/2311		12	2311	PR-156*12/2311
	17	1730	PR-95*17/1730		27	1730	PR-116*27/1730		12	1730	PR-156*12/1730
	22	2312	PR-95*22/2312		36	2312	PR-116*36/2312		17	2312	PR-156*17/2312
	22	2311	PR-95*22/2311		36	2311	PR-116*36/2311		17	2311	PR-156*17/2311
	22	1730	PR-95*22/1730		36	1730	PR-116*36/1730		17	1730	PR-156*17/1730
	27	2312	PR-95*27/2312		46	2312	PR-116*46/2312		22	2312	PR-156*22/2312
	27	2311	PR-95*27/2311		46	2311	PR-116*46/2311		22	2311	PR-156*22/2311
	27	1730	PR-95*27/1730		46	1730	PR-116*46/1730		22	1730	PR-156*22/1730
	36	2312	PR-95*36/2312		56	2312	PR-116*56/2312		27	2312	PR-156*27/2312
	36	2311	PR-95*36/2311		56	2311	PR-116*56/2311		27	2311	PR-156*27/2311
	36	1730	PR-95*36/1730		56	1730	PR-116*56/1730		27	1730	PR-156*27/1730
46	2312	PR-95*46/2312	130	9	2312	PR-130*9/2312	36	2312	PR-156*36/2312		
46	2311	PR-95*46/2311		9	2311	PR-130*9/2311	36	2311	PR-156*36/2311		
46	1730	PR-95*46/1730		9	1730	PR-130*9/1730	36	1730	PR-156*36/1730		
96	9	2312	PR-96*9/2312	130	17	2312	PR-130*17/2312	46	2312	PR-156*46/2312	
	9	2311	PR-96*9/2311		17	2311	PR-130*17/2311	46	2311	PR-156*46/2311	
	9	1730	PR-96*9/1730		17	1730	PR-130*17/1730	46	1730	PR-156*46/1730	
	12	2312	PR-96*12/2312	156	9	2312	PR-156*9/2312	56	2312	PR-156*56/2312	
	12	2311	PR-96*12/2311		9	2311	PR-156*9/2311	56	2311	PR-156*56/2311	
	12	1730	PR-96*12/1730		9	1730	PR-156*9/1730	56	1730	PR-156*56/1730	
116	9	2312	PR-116*9/2312	156	12	2312	PR-156*12/2312	66	2312	PR-156*66/2312	
	9	2311	PR-116*9/2311		12	2311	PR-156*12/2311	66	2311	PR-156*66/2311	
	9	1730	PR-116*9/1730		12	1730	PR-156*12/1730	66	1730	PR-156*66/1730	
	12	2312	PR-116*12/2312	156	17	2312	PR-156*17/2312	76	2312	PR-156*76/2312	
	12	2311	PR-116*12/2311		17	2311	PR-156*17/2311	76	2311	PR-156*76/2311	
	12	1730	PR-116*12/1730		17	1730	PR-156*17/1730	76	1730	PR-156*76/1730	

Płyty okrągłe

Round plates

PR

D	h	mate- rial	NR KAT.	D	h	mate- rial	NR KAT.	D	h	mate- rial	NR KAT.
166	12	2312	PR-166*12/2312	246	22	1730	PR-246*22/1730	344	17	2312	PR-344*17/2312
	12	2311	PR-166*12/2311		27	2312	PR-246*27/2312		17	2311	PR-344*17/2311
	12	1730	PR-166*12/1730		27	2311	PR-246*27/2311		17	1730	PR-344*17/1730
	17	2312	PR-166*17/2312		27	1730	PR-246*27/1730		22	2312	PR-344*22/2312
	17	2311	PR-166*17/2311		36	2312	PR-246*36/2312		22	2311	PR-344*22/2311
	17	1730	PR-166*17/1730		36	2311	PR-246*36/2311		22	1730	PR-344*22/1730
196	9	2312	PR-196*9/2312		36	1730	PR-246*36/1730		27	2312	PR-344*27/2312
	9	2311	PR-196*9/2311		46	2312	PR-246*46/2312		27	2311	PR-344*27/2311
	9	1730	PR-196*9/1730		46	2311	PR-246*46/2311		27	1730	PR-344*27/1730
	17	2312	PR-196*17/2312		46	1730	PR-246*46/1730		36	2312	PR-344*36/2312
	17	2311	PR-196*17/2311		56	2312	PR-246*56/2312		36	2311	PR-344*36/2311
	17	1730	PR-196*17/1730		56	2311	PR-246*56/2311		36	1730	PR-344*36/1730
	22	2312	PR-196*22/2312		56	1730	PR-246*56/1730		46	2312	PR-344*46/2312
	22	2311	PR-196*22/2311		66	2312	PR-246*66/2312		46	2311	PR-344*46/2311
	22	1730	PR-196*22/1730		66	1730	PR-246*66/1730		46	1730	PR-344*46/1730
	27	2312	PR-196*27/2312		66	2311	PR-246*66/2311		56	2312	PR-344*56/2312
	27	2311	PR-196*27/2311		66	1730	PR-246*66/1730		56	2311	PR-344*56/2311
	27	1730	PR-196*27/1730		76	2312	PR-246*76/2312		56	1730	PR-344*56/1730
	36	2312	PR-196*36/2312	76	2311	PR-246*76/2311	66	2312	PR-344*66/2312		
	36	2311	PR-196*36/2311	76	1730	PR-246*76/1730	66	2311	PR-344*66/2311		
	36	1730	PR-196*36/1730	12	2312	PR-296*12/2312	66	1730	PR-344*66/1730		
	46	2312	PR-196*46/2312	12	2311	PR-296*12/2311	76	2312	PR-344*76/2312		
	46	2311	PR-196*46/2311	12	1730	PR-296*12/1730	76	2311	PR-344*76/2311		
	46	1730	PR-196*46/1730	17	2312	PR-296*17/2312	76	1730	PR-344*76/1730		
	56	2312	PR-196*56/2312	17	2311	PR-296*17/2311	16	2312	PR-400*16/2312		
	56	2311	PR-196*56/2311	17	1730	PR-296*17/1730	16	2311	PR-400*16/2311		
	56	1730	PR-196*56/1730	22	2312	PR-296*22/2312	16	1730	PR-400*16/1730		
	66	2312	PR-196*66/2312	22	2311	PR-296*22/2311	20	2312	PR-400*20/2312		
	66	2311	PR-196*66/2311	22	1730	PR-296*22/1730	20	2311	PR-400*20/2311		
	66	1730	PR-196*66/1730	27	2312	PR-296*27/2312	20	1730	PR-400*20/1730		
76	2312	PR-196*76/2312	27	2311	PR-296*27/2311	25	2312	PR-400*25/2312			
76	2311	PR-196*76/2311	27	1730	PR-296*27/1730	25	2311	PR-400*25/2311			
76	1730	PR-196*76/1730	36	2312	PR-296*36/2312	25	1730	PR-400*25/1730			
12	2312	PR-206*12/2312	36	2311	PR-296*36/2311	32	2312	PR-400*32/2312			
12	2311	PR-206*12/2311	36	1730	PR-296*36/1730	32	2311	PR-400*32/2311			
12	1730	PR-206*12/1730	46	2312	PR-296*46/2312	32	1730	PR-400*32/1730			
17	2312	PR-206*17/2312	46	2311	PR-296*46/2311	40	2312	PR-400*40/2312			
17	2311	PR-206*17/2311	46	1730	PR-296*46/1730	40	2311	PR-400*40/2311			
17	1730	PR-206*17/1730	46	1730	PR-296*46/1730	40	1730	PR-400*40/1730			
12	2312	PR-246*12/2312	56	2312	PR-296*56/2312	50	2312	PR-400*50/2312			
12	2311	PR-246*12/2311	56	2311	PR-296*56/2311	50	2311	PR-400*50/2311			
12	1730	PR-246*12/1730	56	1730	PR-296*56/1730	50	1730	PR-400*50/1730			
17	2312	PR-246*17/2312	66	2312	PR-296*66/2312	60	2312	PR-400*60/2312			
17	2311	PR-246*17/2311	66	2311	PR-296*66/2311	60	2311	PR-400*60/2311			
17	1730	PR-246*17/1730	66	1730	PR-296*66/1730	60	1730	PR-400*60/1730			
22	2312	PR-246*22/2312	76	2312	PR-296*76/2312	70	2312	PR-400*70/2312			
22	2311	PR-246*22/2311	76	2311	PR-296*76/2311	70	2311	PR-400*70/2311			
			76	1730	PR-296*76/1730	70	1730	PR-400*70/1730			